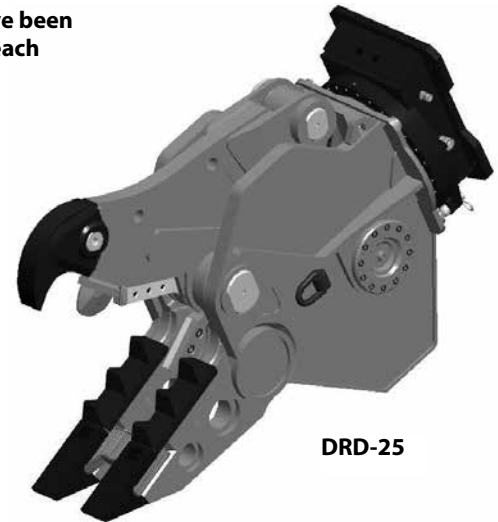


DRC / DRD / DRP Rotating Combi Crusher/Demolition Crusher/Pulveriser with *DemaPower*

The rotating demolition tools of the new Dedicated Demolition Line (DDL) have been developed for primary and secondary demolition. Their jaws are designed to each application area within a demolition job site: Combi Crusher DRC, Demolition Crusher DRD or Pulveriser DRP. The patented *DemaPower* cylinder concept provides up to 20% more power and obviously quicker cycle times.

Advantages:

- Maximized working speed with the *DemaPower* cylinder and robust pin suspension, four chamber technique and speed valve.
- Rotation head with additional oil passage.
- Twin rotation motors for extra rotation power.
- Swing bearing double pivoted.
- Rotation circuit filters.
- Teeth, shrouds and cutting blades exchangeable.
- Excellent speed/ power to weight ratio.
- DRP: exchangeable ground tooth-plate.



DRD-25

Rotating Combi Crusher DRC									
Type	Operating weight excavator	Weight	Jaw opening	Width lower jaw	Width upper jaw	Height	Jaw depth	Length cutting blades	Closing force *
	(t/lbs)	(kg/lbs)	A (mm/in)	B (mm/in)	C (mm/in)	D (mm/in)	E (mm/in)	(mm/in)	(kN/lbf)
DRC-25	18 - 25 / 39600-55000	1840 / 4048	785 / 30.91	390 / 15.35	90 / 3.54	1940 / 76.38	800 / 31.50	400 / 15.75	750 - 1100 / 165000-242000
DRC-30	22 - 35 / 48400-77000	2400 / 5280	875 / 34.45	455 / 17.91	100 / 3.94	2150 / 84.65	900 / 35.43	450 / 17.72	900 - 1400 / 198000-308000
DRC-45	32 - 50 / 70400-110000	2950 / 6490	980 / 38.58	470 / 18.50	100 / 3.94	2370 / 93.31	990 / 38.98	500 / 19.69	1200 - 1700 / 264000-374000

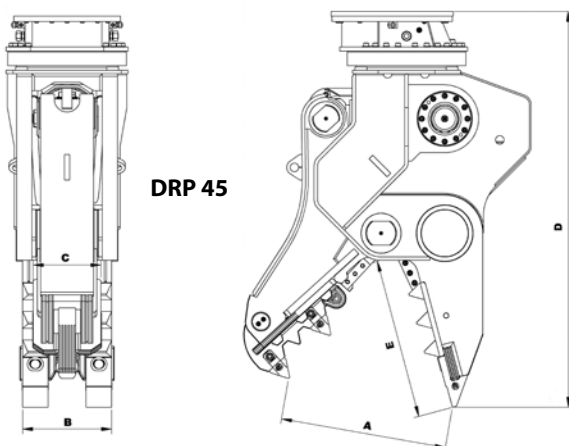
Rotating Demolition Crusher DRD									
Type	Operating weight excavator	Weight	Jaw opening	Width lower jaw	Width upper jaw	Height	Jaw depth	Length cutting blades	Closing force *
	(t/lbs)	(kg/lbs)	A (mm/in)	B (mm/in)	C (mm/in)	D (mm/in)	E (mm/in)	(mm/in)	(kN/lbf)
DRD-25	18 - 25 / 39600-55000	1850 / 4070	825 / 32.48	400 / 15.75	90 / 3.54	1980 / 77.95	800 / 31.50	200 / 7.87	800 - 1300 / 176000-286000
DRD-30	22 - 35 / 48400-77000	2400 / 5280	870 / 34.25	475 / 18.70	100 / 3.94	2155 / 84.84	885 / 34.84	200 / 7.87	950 - 1450 / 209000-319000
DRD-45	32 - 50 / 70400-110000	2950 / 6490	990 / 38.98	525 / 20.67	100 / 3.94	2360 / 92.91	950 / 37.40	200 / 7.87	1200 - 1800 / 264000-396000

Rotating Pulveriser DRP									
Type	Operating weight excavator	Weight	Jaw opening	Width lower jaw	Width upper jaw	Height	Jaw depth	Length cutting blades	Closing force *
	(t/lbs)	(kg/lbs)	A (mm/in)	B (mm/in)	C (mm/in)	D (mm/in)	E (mm/in)	(mm/in)	(kN/lbf)
DRP-25	18 - 25 / 39600-55000	1850 / 4070	790 / 31.10	400 / 15.75	325 / 12.80	1980 / 77.95	800 / 31.50	200 / 7.87	750 - 1200 / 165000-264000
DRP-30	22 - 35 / 48400-77000	2380 / 5236	860 / 33.86	475 / 18.70	350 / 13.78	2155 / 84.84	885 / 34.84	200 / 7.87	900 - 1400 / 198000-308000
DRP-45	32 - 50 / 70400-110000	2950 / 6490	985 / 38.78	525 / 20.67	400 / 15.75	2360 / 92.91	950 / 37.40	200 / 7.87	1200 - 1700 / 264000-374000
DRP-60	45 - 65 / 99000-143000	4000 / 8800	1150 / 45.28	565 / 22.24	450 / 17.72	2555 / 100.59	1020 / 40.16	250 / 7.87	1400 - 2000 / 308000-440000

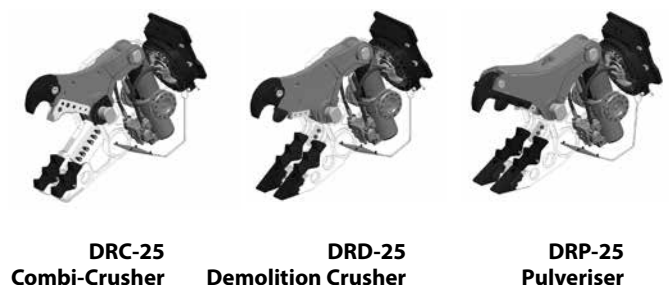
* Closing force at front tooth / splitting tooth

Type	Open/Close		Rotation	
	Pressure max. (bar/psi)	Flow (l/min/GPM)	Pressure max. (bar/psi)	Flow (l/min/GPM)
DRC-25 / DRD-25 / DRP-25	350 / 5040	120 - 200 / 31.70 - 52.84	140 / 2016	40 - 60 / 10.57 - 15.85
DRC-30 / DRD-30 / DRP-30	350 / 5040	150 - 250 / 39.63 - 66.05	140 / 2016	40 - 60 / 10.57 - 15.85
DRC-45 / DRD-45 / DRP-45	350 / 5040	200 - 300 / 52.54 - 79.26	140 / 2016	40 - 60 / 10.57 - 15.85
DRP-60	350 / 5040	300 - 400 / 79.26 - 105.68	140 / 2016	40 - 60 / 10.57 - 15.85

Technical Drawings



DRP 45



DRC-25 Combi-Crusher

DRD-25 Demolition Crusher

DRP-25 Pulveriser